



# safestor™

Product code: HFC5

- » Hazardous storage cupboard for storing flammables or chemicals.
- » Liquid-tight sump to contain spillages.
- » Adjustable feet ensures unit remains level on uneven ground.



## Product features



COSHH compliant



Sump capacity



UDL per shelf



Fire resistant



Safety signage

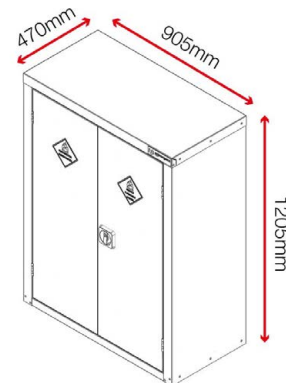


Cam lock

## Product specifications

Weight	41kg
Colour	Traffic yellow: RAL 1023
Suitable for	Indoor storage of flammables or chemicals
Finished coating	Powder coated
Material & thickness	0.9mm steel
Quantity of keys	2 keys
How are castors fitted?	Not applicable
Other sizes available	8 other sizes
Ventilation	No
Qty of shelves as standard	2 shelves

## Dimensions - External dimensions includes protrusions



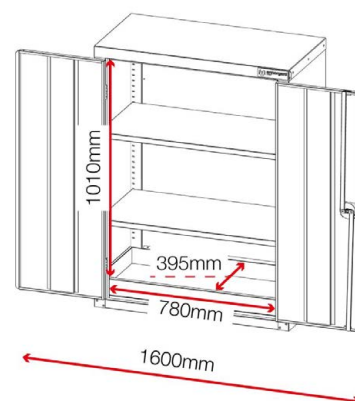
## Optional extras - Contact Armorgard to find out more



Stand HCS2



SafeStor shelf



Disclaimer: all dimensions and weights are approximate